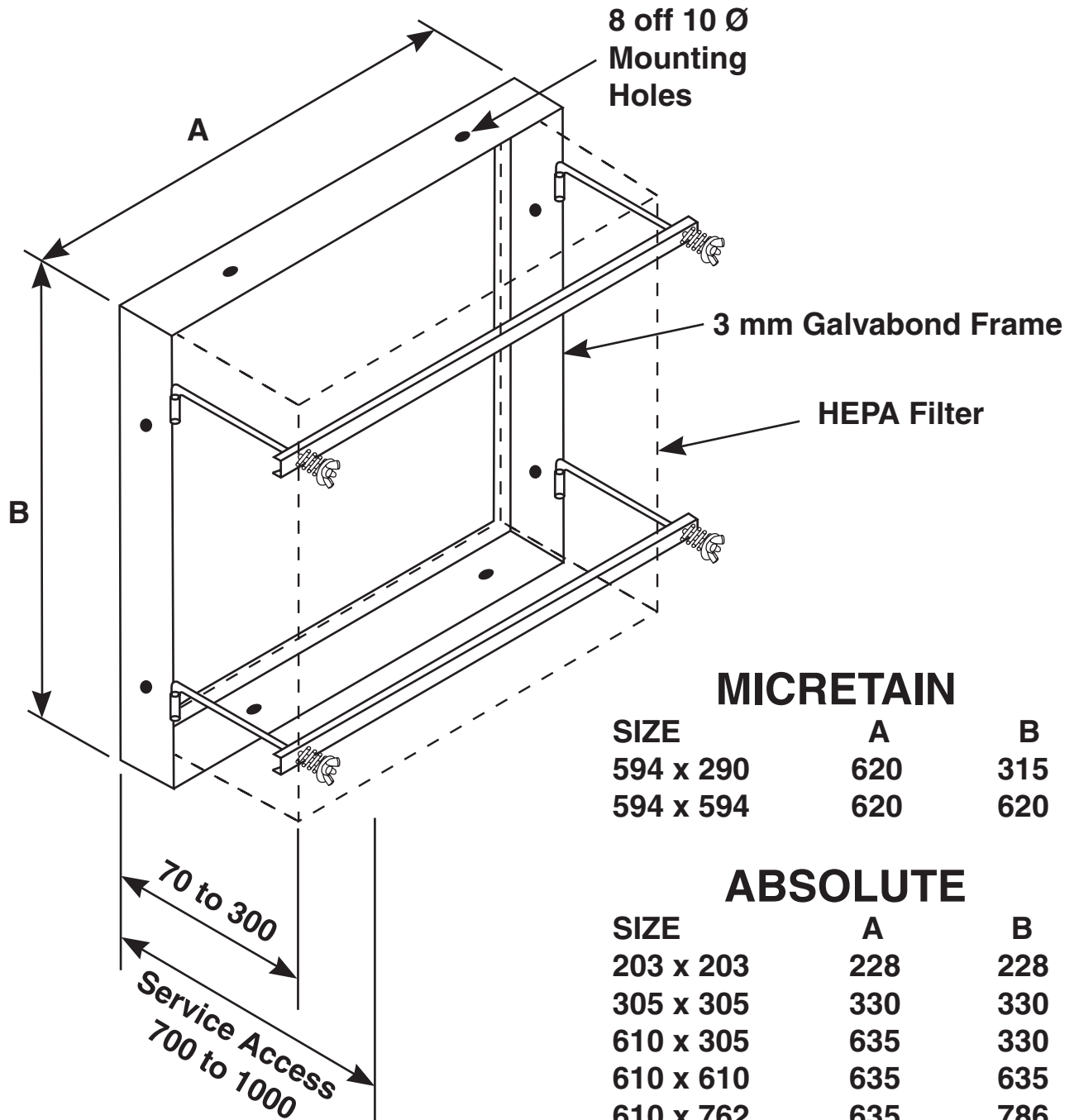




# HEPA HOLDING FRAME



## MICRETAIN

SIZE	A	B
594 x 290	620	315
594 x 594	620	620

## ABSOLUTE

SIZE	A	B
203 x 203	228	228
305 x 305	330	330
610 x 305	635	330
610 x 610	635	635
610 x 762	635	786
610 x 915	635	940
610 x 1220	635	1245



**Australian Air Filters**  
 Phone: (02) 9997 4366 Fax: (02) 9997 2654  
 Internet: [www.austair.com.au](http://www.austair.com.au)



Australian Air Filters has a policy of continuous product research and development and reserves the right to change design and specifications without notice.

© Copyright Australian Air Filters 2007