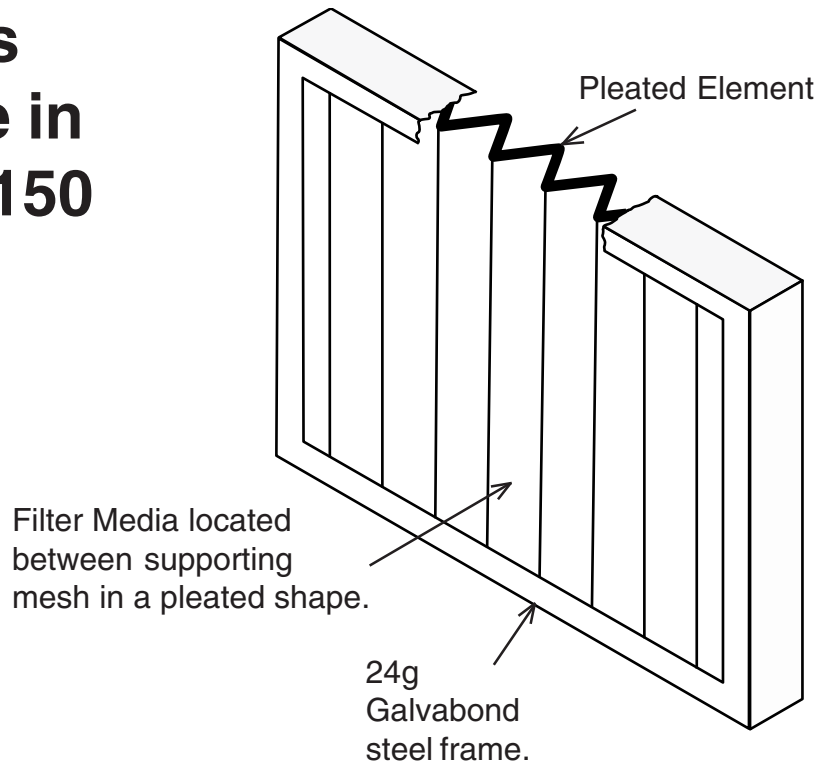




EXTENDED SURFACE WASHABLE PANEL FILTER

**These Filters
are available in
50, 100 and 150
mm depths**



PERFORMANCE:

Nominal Size (mm)	Air Quantity (l/s)	Face Velocity (m/s)	Initial P.D. W50 (Pa)	Air Quantity (l/s)	Face Velocity (m/s)	Initial P.D. W50 (Pa)
406 x 508	410	2.0	32	523	2.54	40
406 x 635	515	2.0	32	655	2.54	40
508 x 508	515	2.0	32	655	2.54	40
508 x 635	645	2.0	32	820	2.54	40
508 x 762	774	2.0	32	983	2.54	40
610 x 610	744	2.0	32	944	2.54	40
610 x 762	930	2.0	32	1180	2.54	40

EFFICIENCY: 85% when tested in accordance with AS1324, No.4 test dust in flat panel configuration at 1.78 m/s.

INSTALLATION: Slide mounting into track or use with Universal Holding Frame.



Australian Air Filters
Phone: (02) 9997 4366 Fax: (02) 9997 2654
Internet: www.austair.com.au



Australian Air Filters has a policy of continuous product research and development and reserves the right to change design and specifications without notice.

© Copyright Australian Air Filters 2007